

**MANUALLY & ELECTRIC OPERATED  
STEEL ROLLER SHUTTERS TYPICAL LAYOUT DETAILS**

NOTE: THE SIDEROOM AND HEADROOM DIMENSIONS SHOWN ARE SUITABLE FOR SHUTTERS UP TO 6000mm WIDE BY 6000mm HIGH. PLEASE REFER TO TECH SHEET 4AS FOR CLEARANCES FOR LARGER DOORS

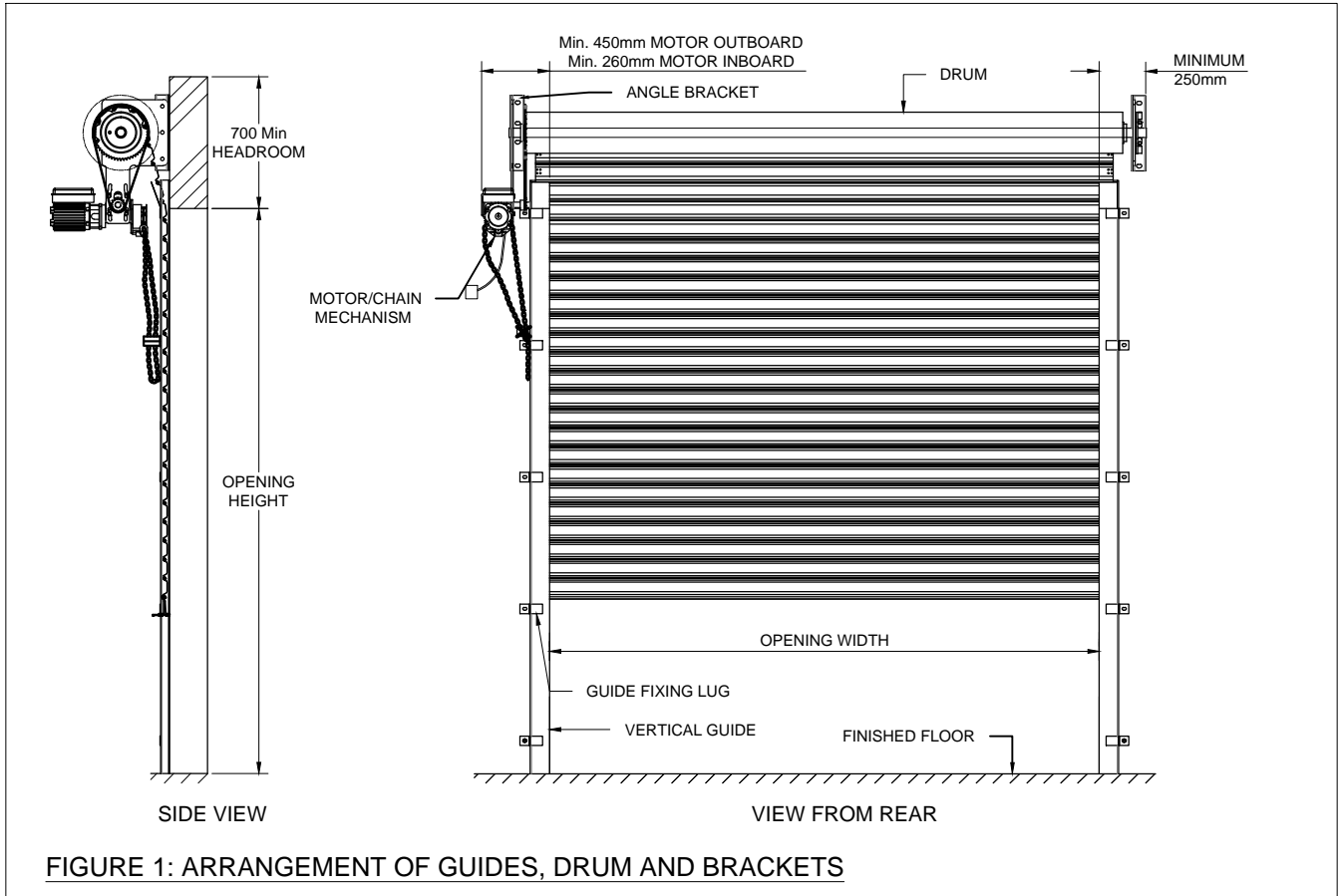


FIGURE 1: ARRANGEMENT OF GUIDES, DRUM AND BRACKETS

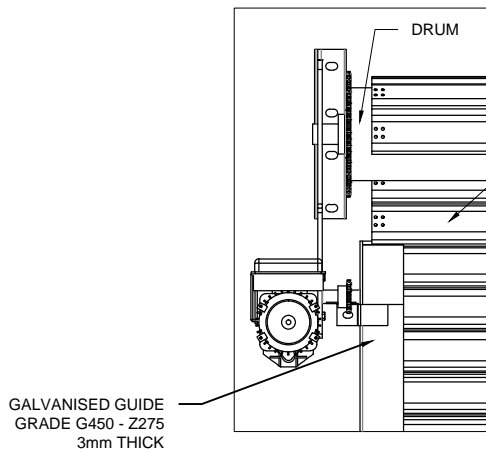


FIGURE 2: OUTBOARD MOTOR DETAIL

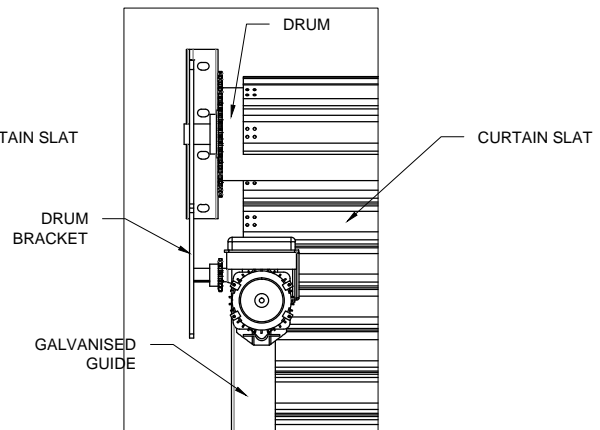


FIGURE 3: INBOARD MOTOR DETAIL