



Arco Qld Pty Ltd

PO Box 6340 Yatala Qld 4207

Phone +61 7 3807 5364

Fax +61 7 3382 7929

# INSTALLATION PROCEDURE & MAINTENANCE

## SHOPFRONT ROLLER SHUTTERS

CLEAR ROLLER SHUTTER is designed to enable the public a vision of the merchandise whilst providing security and vermin proof protection.

ARCADE 2 & SLIMLINE are designed to offer exceptional protection, strong functional security with aesthetic appeal.

CASINO ROLLER GRILLE is designed for visual access, airflow and light infiltration



- Installation of Roller Shutter Door should only be undertaken by experienced Installer/Technician.
- Never allow anybody to be in close proximity when installing this door.
- Before commencing installation, ensure that the structure is suitable to carry the load of the door during operation. Consult the Structural Engineer/Builder of the project.

### TOOLS REQUIRED

- Steel Tape
- Spirit Level
- Screw Drivers
- Drill Gun
- Drill Bits
- Ladder/Scaffoldings
- Grinder
- Riveter
- Wrench
- Pliers
- Welding Machine (Depending on the site condition)

## PERSONAL PROTECTIVE EQUIPMENT

- Eye protection
- Hand Gloves
- Safety Shoes
- High Visibility Clothing
- Hard Hat

## PACKING LIST

- Dexion Bracket (for Manual), Angle Bracket (for SIMU Motor)
- Fixing Bolts/Screws
- Guides
- Mullion (Optional) with Tongue
- Pull Hook
- Drum Assembly with U Bolt and Saddle
- Roller Shutter Curtain
- Key Switch (For Motorise only)

## STEP 1 : MEASUREMENTS/CHECKLISTS

Before installation, confirm the following:

- For Manual Roller Shutter (Head Room must be minimum of 450mm)

### Behind Wall Fixing

Width = daylight width + Guides width + 20mm each side for the bracket

Height = daylight height + 220mm + Bulkhead

### In Between Walls

Width = daylight width

Height = daylight height + 220mm + Bulkhead

- For Motorised Roller Shutter (Head Room must be minimum of 450mm)

### Behind Wall Fixing

Width = daylight width + Guides width + 75mm each side for the Bracket.

Height = daylight height + 220mm + Bulkhead

### In Between Walls

Width = daylight width

Height = daylight height + 360mm + Bulkhead

## STEP 2 : INSTALLATION

- BRACKET INSTALLATION

Determine the angle bracket location. Position the Bracket according to the agreed mounting. (Could be "Between Walls" or Behind Walls")

**For Manual Roller Shutter** (Head Room must be minimum of 450mm)

### Behind Wall Fixing (See Fig 3)

The Bracket must not be less than 20mm from the back of guide to face of bracket. Must be horizontally align

### In Between Walls (See Fig 1)

The Bracket is to be fixed in between wall. Must be horizontally align.

**For Motorised Roller Shutter** (Head Room must be minimum of 450mm)

Behind Wall Fixing (See Fig 4)

The Bracket must not be more than 75mm from back of guide to face of bracket. Use 12mm bolt to fit to RHS or Blockworks. Must be horizontally align.

In Between Walls (See Fig 2)

The Bracket is to be fixed in between wall. Must be horizontally align

- **DRUM INSTALLATION, CURTAIN & GUIDES**

**For Manual Roller Shutter**

Place the Drum into the Bracket where the painted endcap must be on the right hand side view inside looking out.

Fit the Curtain to the Drum steel strap using rivets were the back of Slats is facing the Drum.

Lightly tighten the U-Bolts

Slowly TENSION the shaft towards inside using the pipe wrench. (See Fig 5)

After the TENSIONING, securely tighten the U-Bolts.

Drill the hole on the Guides for securely locking.

Fit the GUIDES (Behind or Between Wall Fixing) using 65mm x 10mm Self Tapping Screw.

**For Motorised Roller Shutter**

Place the Drum into the Bracket where the painted endcap must be on the right hand side view inside looking out.

Lightly tighten the U-Bolts

Slowly TENSION the shaft towards inside using the SIMU Motor. (See Fig 5)

After the TENSIONING, securely tighten the U-Bolts.

Fit the Curtain to the Drum steel strap using rivets were the back of Slats is facing the Drum.

Lightly tighten the U-Bolts.

Fit the GUIDES (Behind or Between Wall Fixing) using 65mm x 10mm Self Tapping Screw.

See SIMU Manual to set the limit (opening /closing). Safely connect the 4 wires into the plug.

Plug into the power point and the door is activated.

Install the Key Switch. (Ask for Certified Electrician to do this.)

**STEP 3 : TESTING**

- For Manual Roller Shutter  
Try to open and close the door.  
Do not slam the bottom rail.  
Test the Lockset.
- For Motorise Roller Shutter  
Try to open and close using the Key Switch.  
See if the door automatically stops below the bulkhead & stops at the floor level.

#### MAINTENANCE

- Regularly clean the Curtain with cloth and water.
- Avoid using chemicals to prevent from discoloration.
- Regularly check for foreign materials build up on the guides.

#### NOTES:

Casino Roller Grille is only for Manual operation.

For Orders, please use the lay-out sheet, input all the details.

SUPPORT DRAWINGS

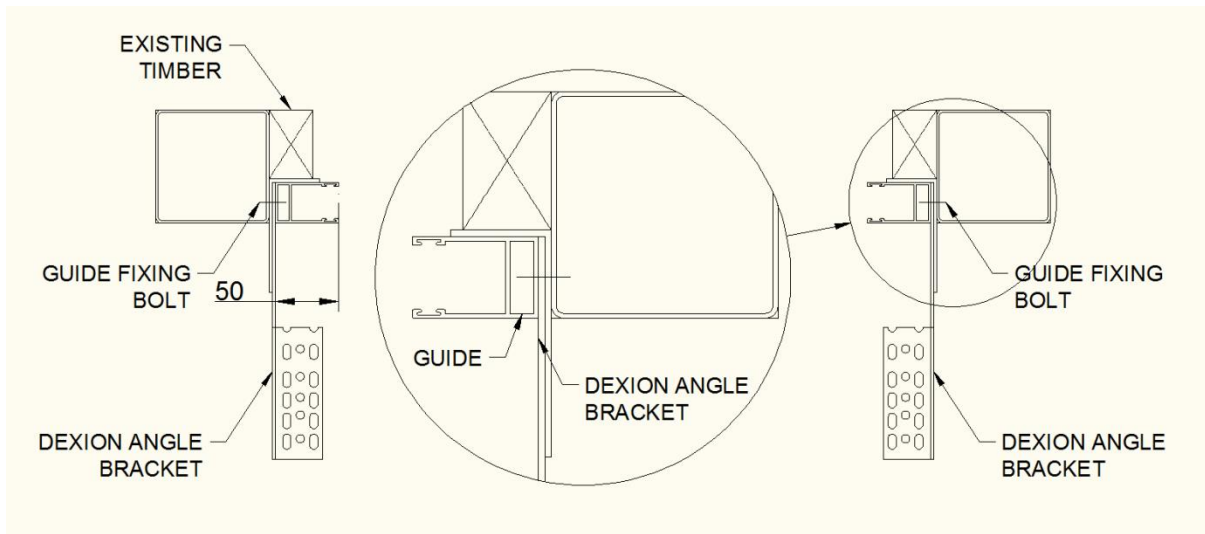


Figure 1 Typical Layout of Drum Bracket Fixing of Manual Door (Between Wall)

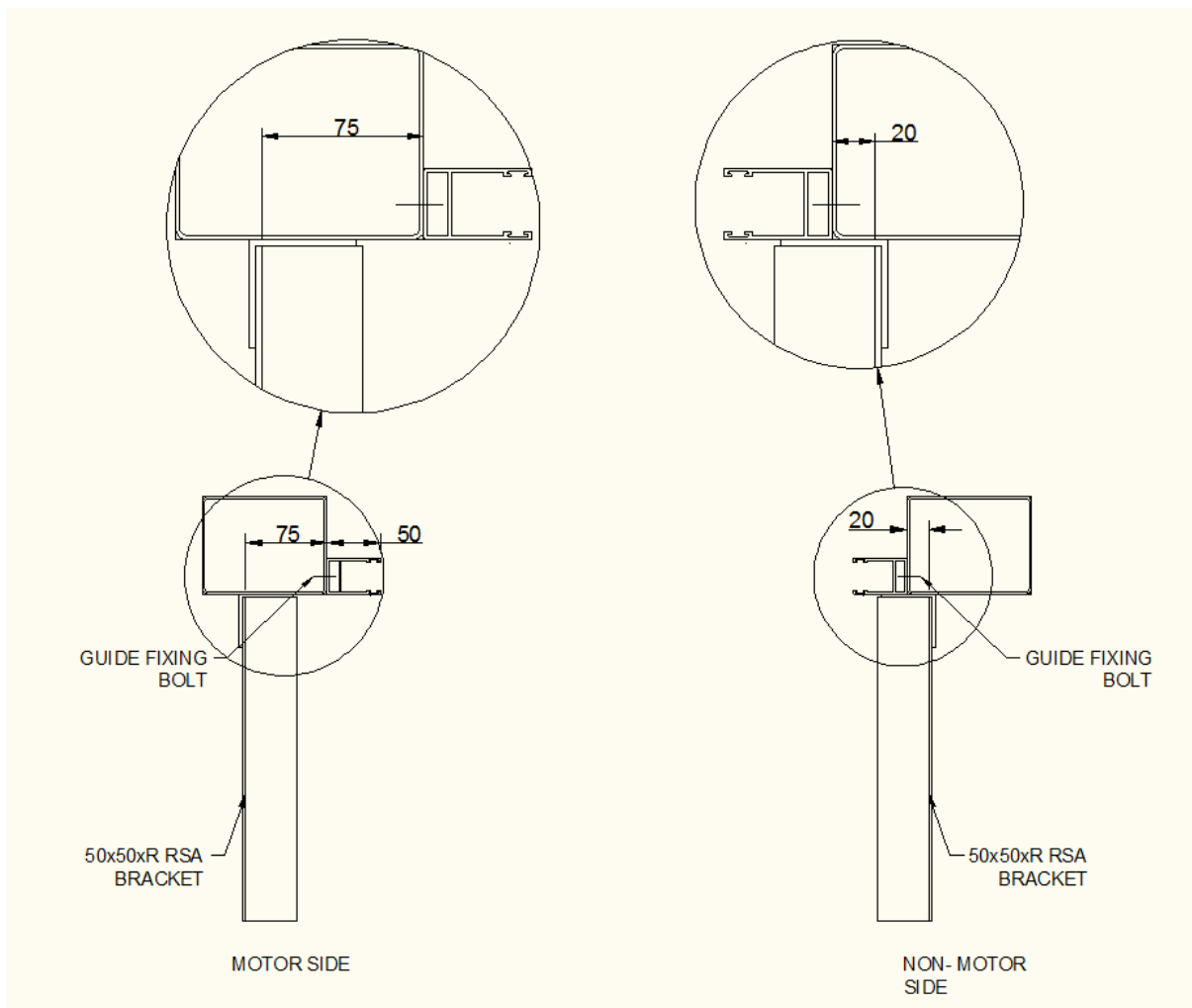


Figure 2 Typical Layout of Drum Bracket Fixing of Motorised Door (Between Wall)

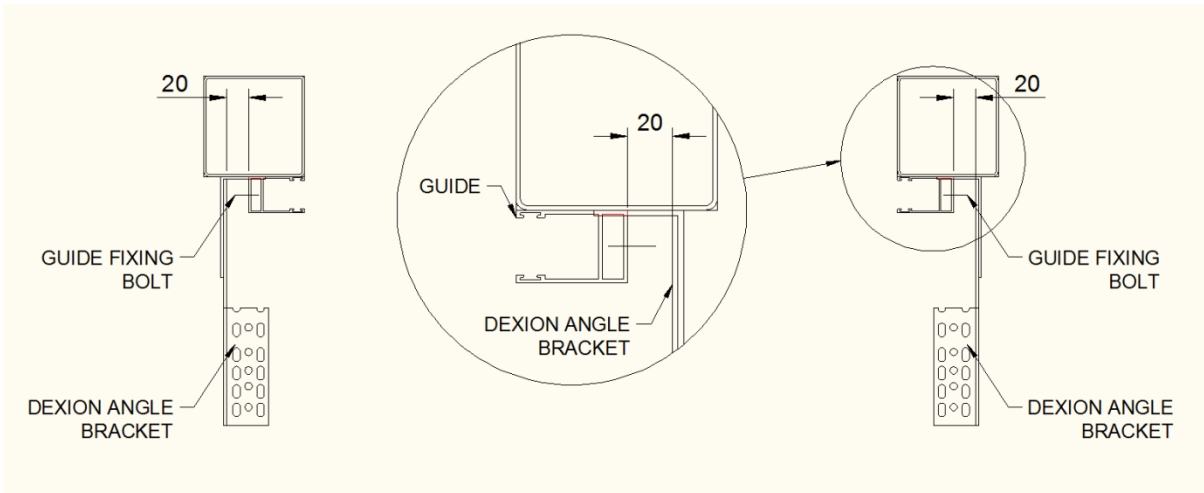


Figure 3 Typical Layout Drum Bracket fix of Manual Door (Behind Wall)

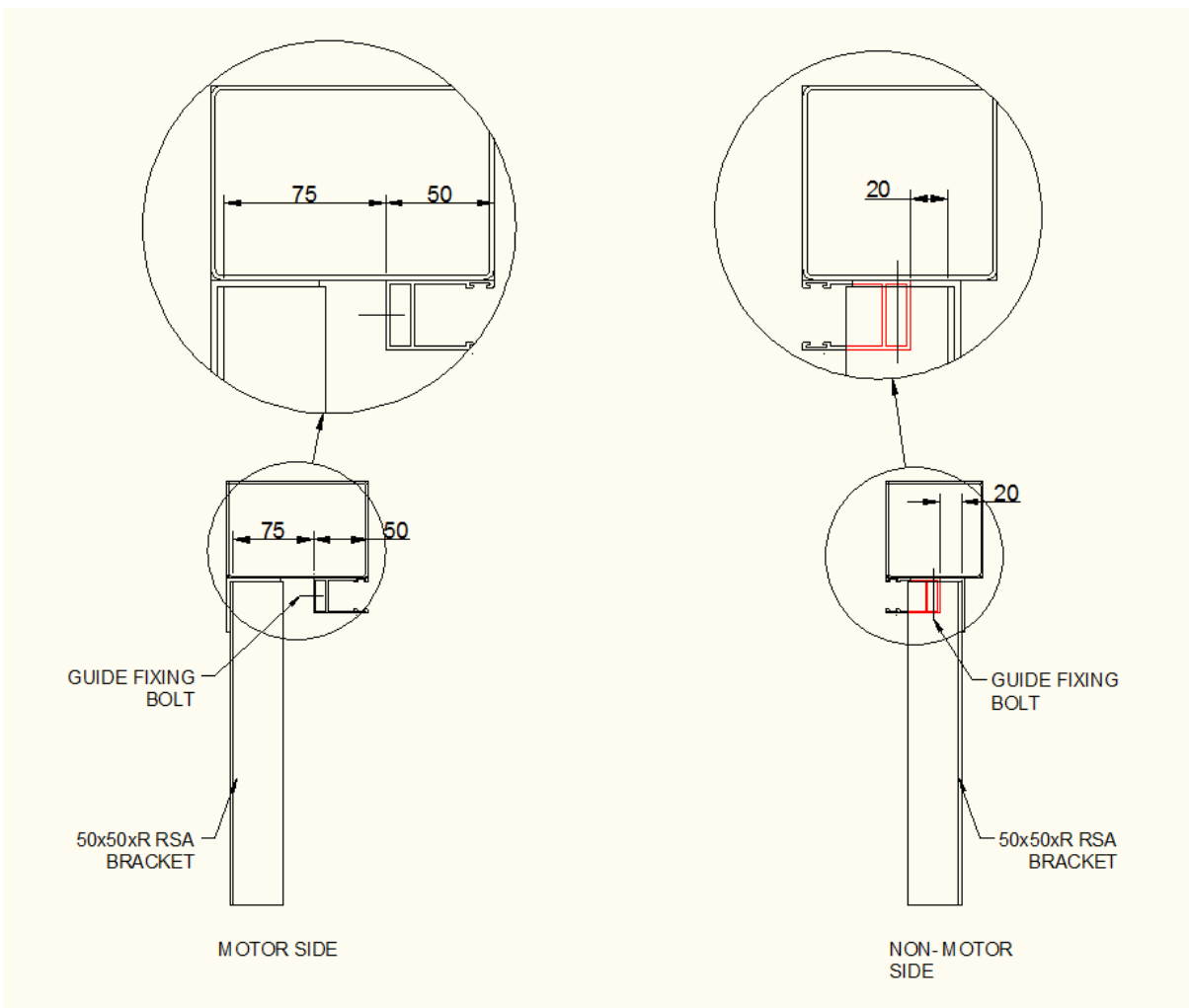


Figure 4 Typical Layout Drum Bracket fix of Motorised Door (Behind Wall)

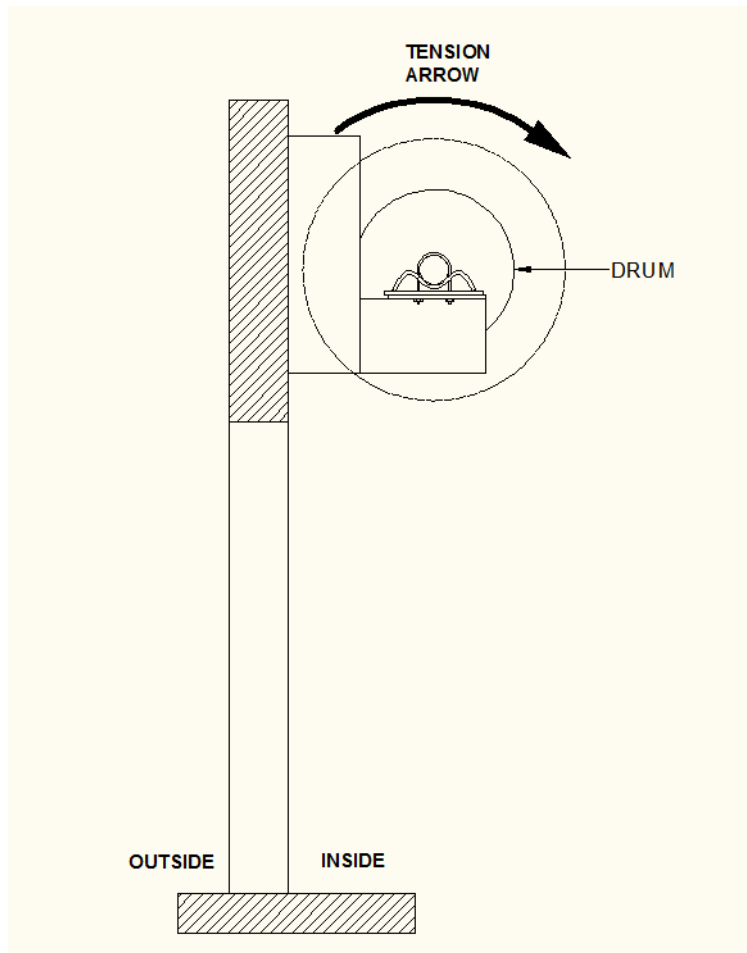
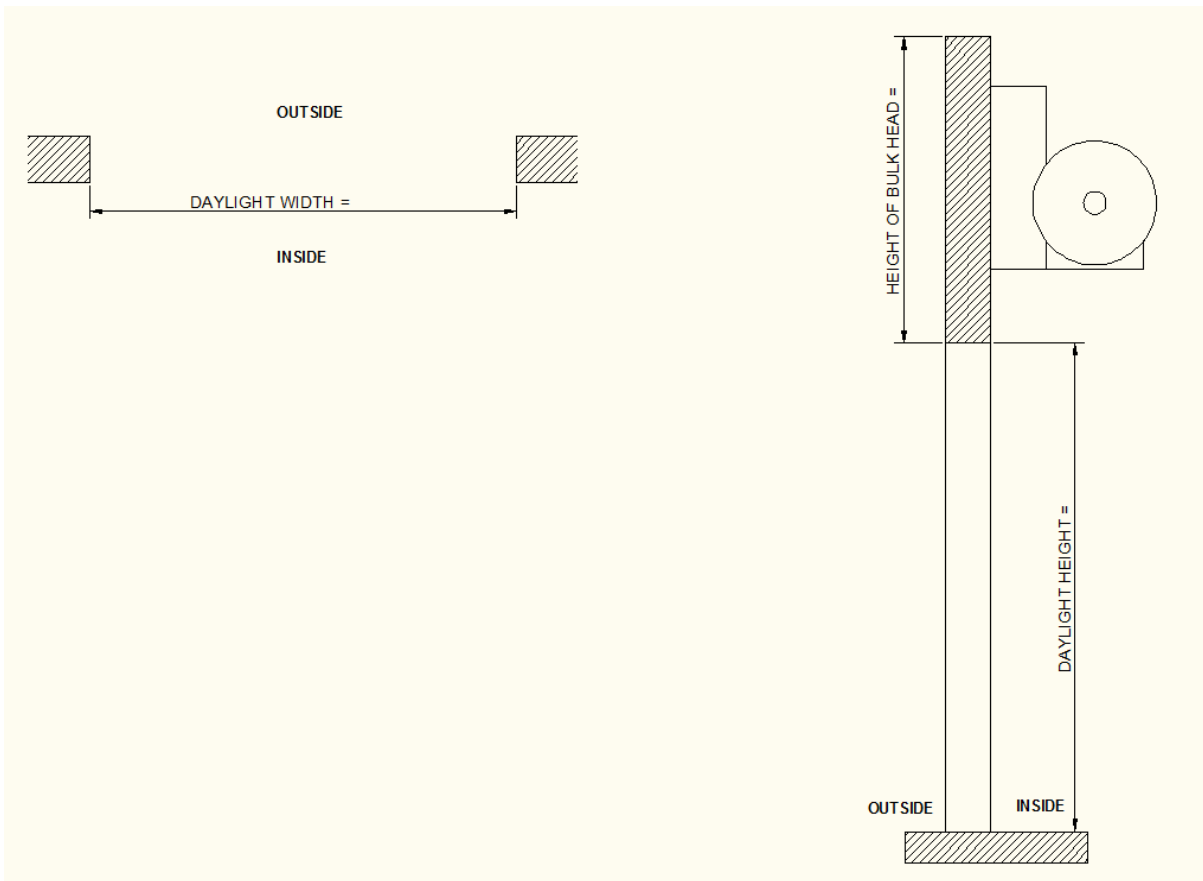


Figure 5 Tension the drum

LAY OUT SHEET



Please tick appropriate box.

PRODUCT

- Slimline       Clear Roller       Arcade 2       Casino Roller Grille

OPERATION

- Manual       Motorise ( Left Hand     Right Hand), view inside looking out (VILO)

FIXING

- Behind Mount     Between Wall

COLOUR

- Clear Anodise     Powder Coat (Standard Colourbond Range)

LOCK POSITION

- Bottom Rail       Waist High

LOCK SIDE

- Inside only       Outside only     Both Sides       Key Alike

ASSEMBLY

- On drum           Off drum

DELIVERY ADDRESS

---

---